

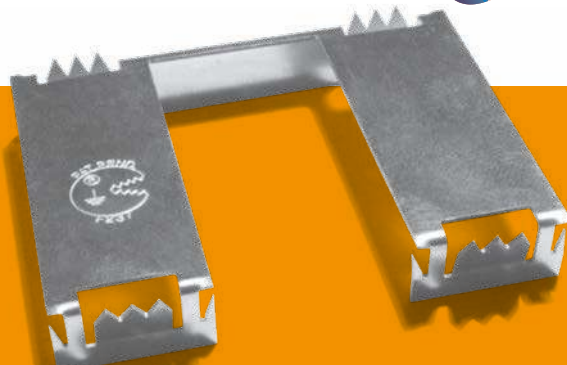
New!

TerraGrif™
by Mobasolar

QL

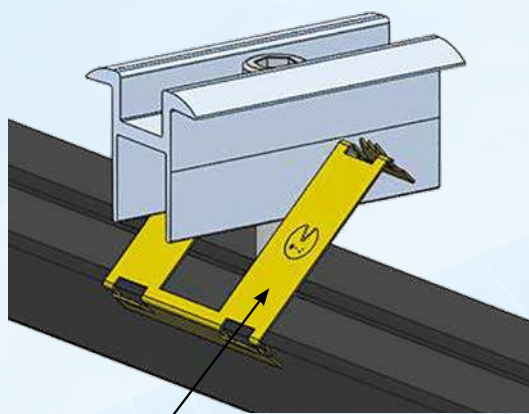


Earthing solution for 2 photovoltaics modules with 1 piece TerraGrif™, for mounting system with fixing rail flanges.



1

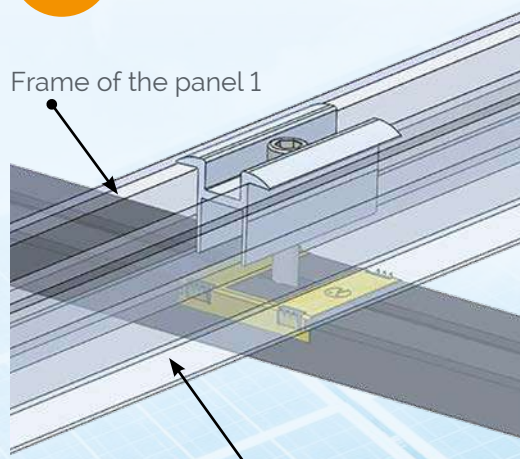
TerraGrif™ implementation



TerraGrif™ QL

2

TerraGrif™ in place



Frame of the panel 1

Frame of the panel 2

The width of the TerraGrif™ is variable from 20 to 65 mm

ATEC

TerraGrif™ is referenced and validated in few ATEC. Available in demand.

Certification

LCIE VERITAS

- ✓ Measuring Resistance at 10 A, 20 A and 40 A
- ✓ Measuring Resistance after saline atmosphere
- ✓ Measuring Resistance after 20 KA lightning test
- ✓ Thermal cycling test (NF EN 61215: 2005, clause 10.11) at temperatures varying from +85 °C to -40 °C, on a number of 50 cycles of 10 minutes minimum each

More

In case of maintenance, if the module must be replaced, the Terragrif remains installed and is therefore not impacted.

Implementation

No mounting tools needed (perhaps gloves!)

« This document is the property of MOBASOLAR. It can not be reproduced or communicated without authorization »

More informations:

10 rue des Serruriers | 68600 Wolfgantzen - France
Tel: +33 3 89 41 35 96

terragrif.eu

